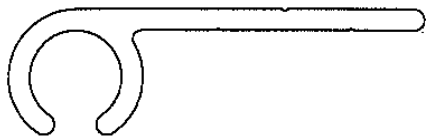
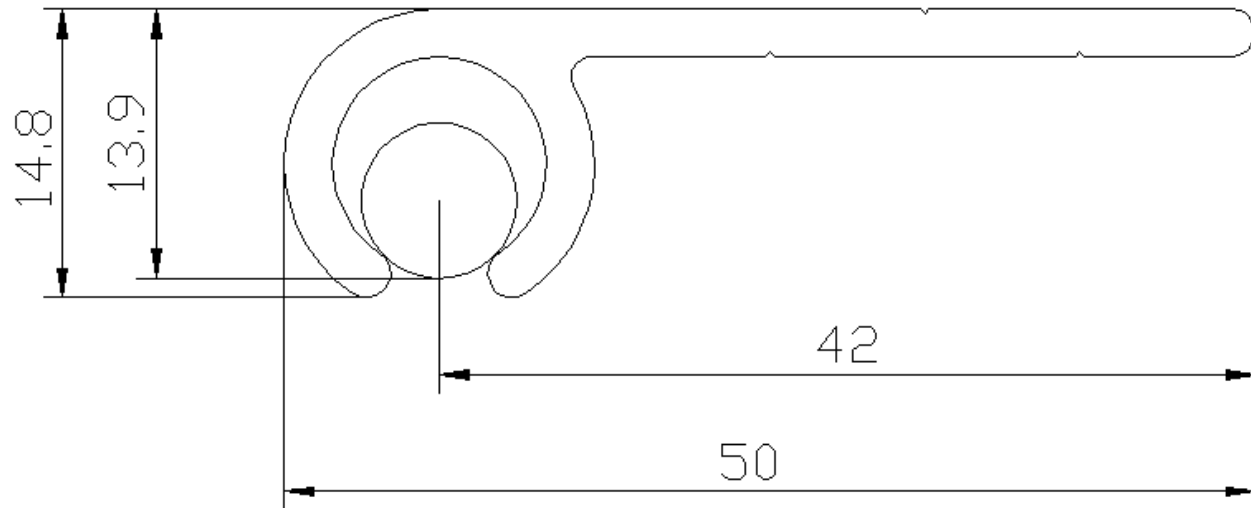


## 'P' Section Extrusion



1:1 SCALE DETAIL

We also offer ...

- Cutting
- Drilling
- Bending
- A wide range of standard and specialist keders
- Fabric welding and stitching
- Computer controlled fabric cutting – can cut fabric up to 4m wide!



**ARCHITEN  
LANDRELL**  
ASSOCIATES

Station Road  
Chepstow  
NP16 5PF, UK

T +44 (0) 1291 638200  
F +44 (0) 1291 621991  
mail@architen.com